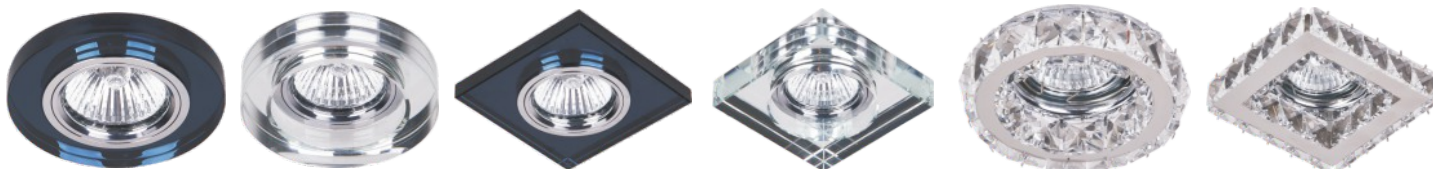
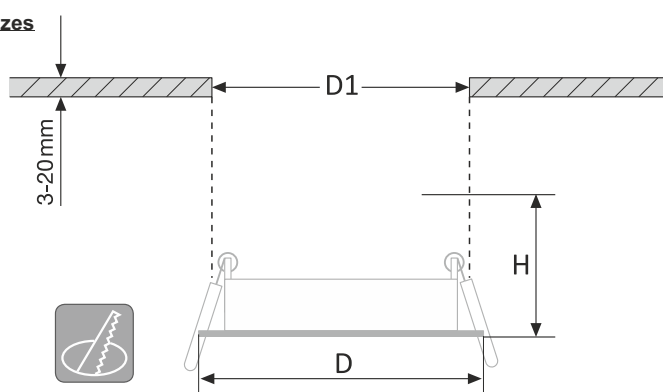


- | | | | |
|-------|--|-------|--------------------|
| Ⓟ BG | Инструкция за монтаж и експлоатация | Ⓟ BG | Луни |
| Ⓟ EN | Instruction for installation and use | Ⓟ EN | Downlights |
| Ⓟ RO | Instrucțiune de instalare și utilizare | Ⓟ RO | Spot |
| Ⓟ SRB | Uputstvo za ugradnju i upotrebu | Ⓟ SRB | Spot lampa |
| Ⓟ HR | Uputstvo za ugradnju i upotrebu | Ⓟ HR | Spot svjetiljka |
| Ⓟ BIH | Uputstvo za ugradnju i upotrebu | Ⓟ BIH | Spot lampa |
| Ⓟ HU | Szerelési és kezelési utasítás | Ⓟ HU | Spot lámpatest |
| Ⓟ SLO | Navodilo za vgradnjo in uporabo | Ⓟ SLO | Reflektroji |
| Ⓟ GR | Οδηγίες για την εγκατάσταση και τη χρήση | Ⓟ GR | Χυτά σποτ |
| Ⓟ MK | Упатство за вградување и употреба | Ⓟ MK | Луни за вградување |
| Ⓟ SK | Návod na montáž a používanie | Ⓟ SK | Svetl omet |
| Ⓟ PL | Instrukcja instalacji i użytkowania | Ⓟ PL | Downlights |
| Ⓟ P | Instrução para instalação e uso | Ⓟ P | Downlights |
| Ⓟ IT | Istruzioni per l'installazione e l'uso | Ⓟ IT | Downlights |

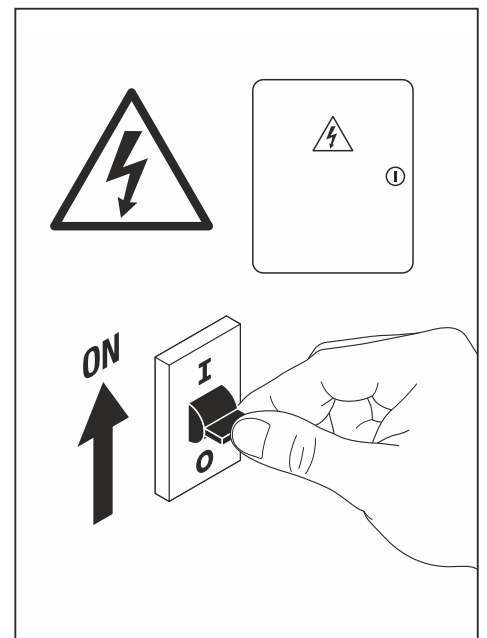
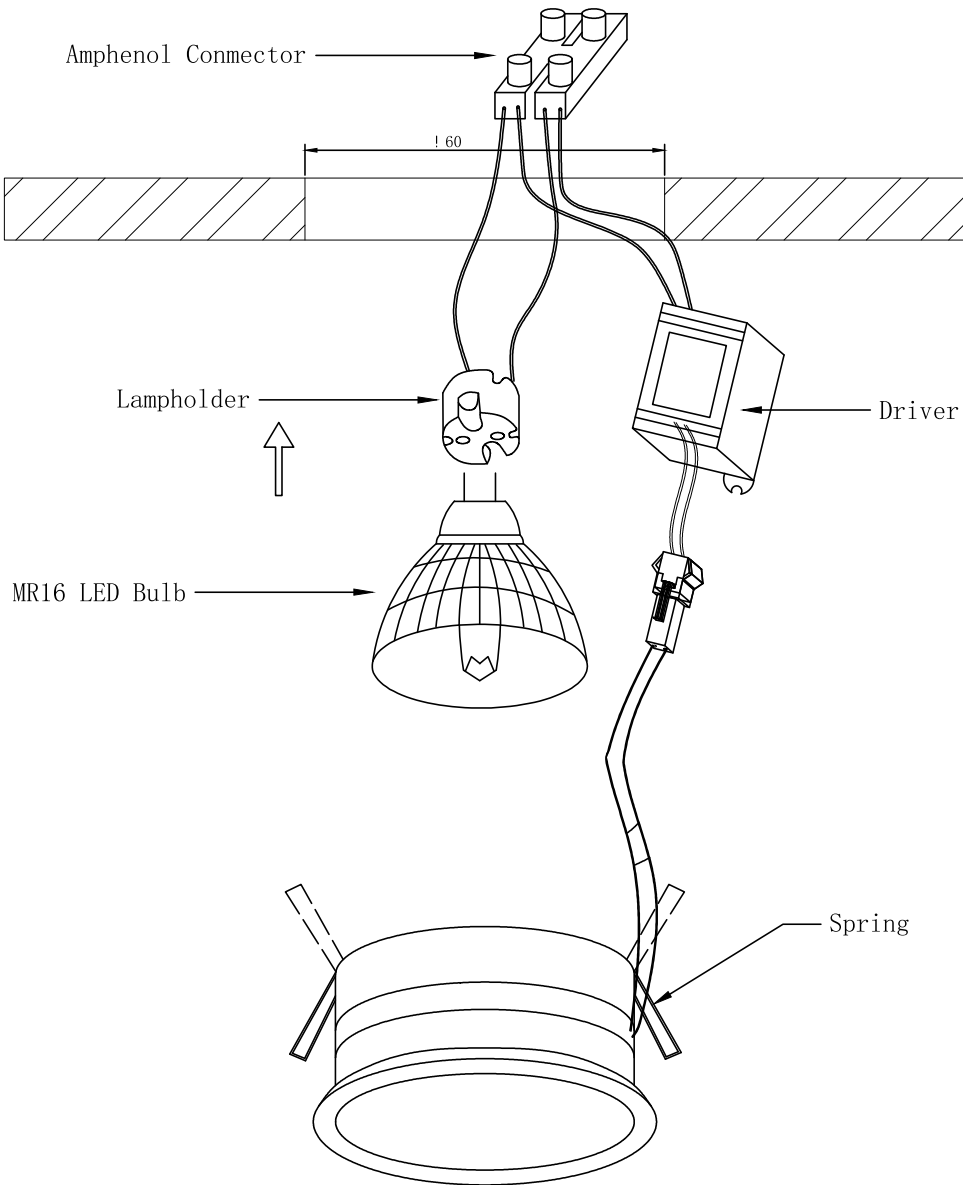
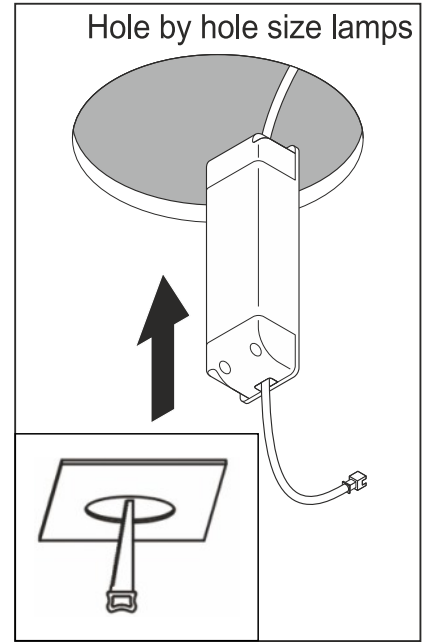
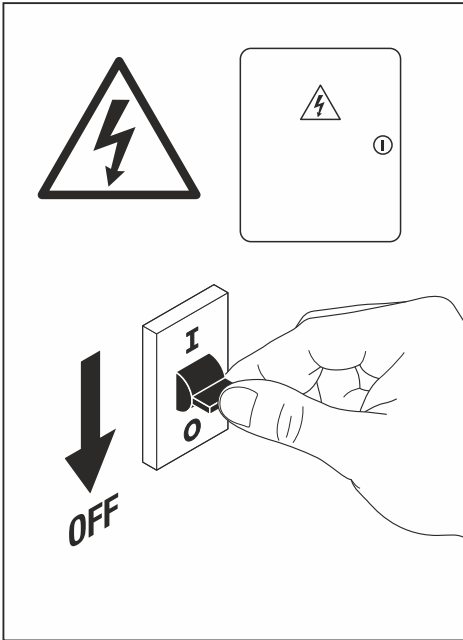


Installation sizes



Catalogue number	Description	Colour	Width/Diameter (mm)	Length (mm)	Height (mm)	Cutting hole (mm)
925777R/BK	Spotlight	Chrome and black	90	-	22	60
925777S/BK	Spotlight	Chrome and black	90	90	22	60
925778R/CL	Spotlight	Chrome and clear	90	-	32	60
925778S/CL	Spotlight	Chrome and clear	90	90	32	60
925773R/CL	Spotlight	Stainless steel with crystal	100	-	50	60
925773S/CL	Spotlight	Stainless steel with crystal	105	105	50	60

Fixed installation diagram



Voltage: 220-240VAC | Beam angle: 60° | Body material: Aluminium + PC

